



Knox KN-TW01 Towel Warmer

Instruction Manual



Index

Safety Precautions.....Page 1
General Operation Instructions.....Page 1

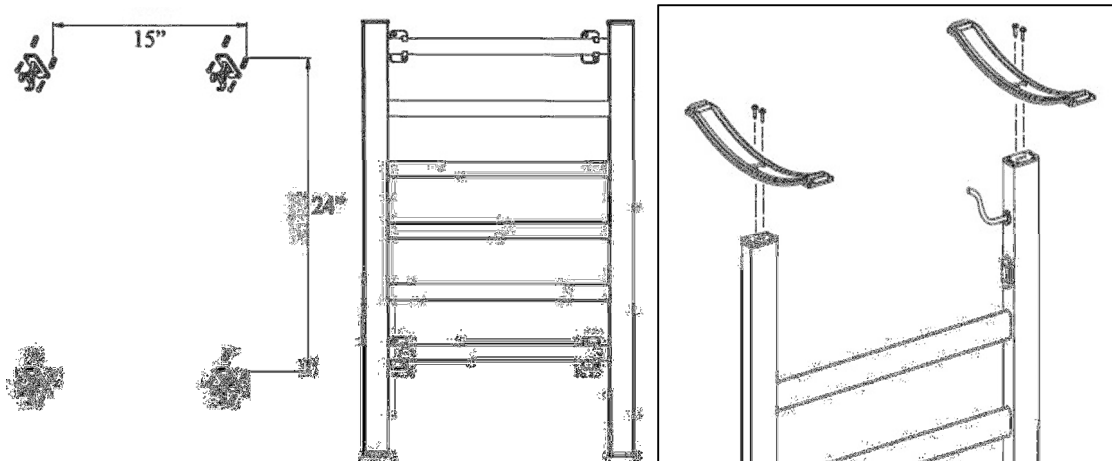
Caution:

- Be careful not to touch the towel rods during operation and for some time afterwards as they may be too hot.
- This is an electrical device. Do not immerse in, or use near, water.
- In case of accidental immersion in water, immediately unplug the power cord.
- Unplug the towel warmer when not in use.
- Do not operate if the power cord or appliance shows signs of damage or if the warmer is malfunctioning.
- Make sure to plug the warmer into a grounded electrical socket.
- Never allow children to use the towel warmer unsupervised.

General Operation

Wall-Mounting or Floor-Standing

- 1. Assembly Instructions (Wall-Mounting)**
 - a. Screw the mounting brackets into the wall. (see diagram for hole positions)
 - b. Snap the towel warmer into place using the supplied mounting clamps.
- 2. Assembly Instructions (Floor-Standing)**
 - a. Simply attach the included feet onto the warmer per the diagram below.



Operation

1. Plug the towel warmer into a 120 volt electrical outlet
2. Allow the towel warmer to heat up for several minutes.
 - a. Make sure to place towels onto the warmer immediately to keep heat from dissipating.
3. **Please Note:** Damp or wet towels can bleed and cause discoloration in the finish of the Towel Warmer if the material isn't colorfast.