



**KN-PTT Bluetooth Turntable with USB  
Recording Capability  
Instruction Manual**



# Index

---

Safety Information.....	Page 1
General Operation Instructions.....	Page 1 to 3
Troubleshooting Guide.....	Page 4
Device Specifications.....	Page 4
Turntable Diagram.....	Page 5

**Caution:** TO REDUCE THE RISK OF ELECTRIC SHOCK, DO NOT REMOVE THE COVER OR BACK. NO USER-SERVICABLE PARTS INSIDE. REFER ALL SERVICING TO QUALIFIED PERSONEL.

**Warning:**

1. TO REDUCE THE RISK OF FIRE OR ELECTRIC SHOCK, DO NO EXPOSE THIS UNIT TO RAIN OR MOISTURE.
2. TO AVOID ANY DAMAGE, DO NOT FORCE THE COVER INTO POSITION.

## General Operation

---

**1. Before Use, Please Make Sure To:**

- a. Remove the stylus protector.
- b. Ensure the Tone Arm is unlocked before moving from resting position.
- c. Lock the Tone Arm in place when not in use.

**2. Getting Started:**

- a. Firmly insert the DC plug into the DV In jack on the back of the unit.
- b. Plug the AC end into an available 120V AC~60Hz outlet.
- c. Turn the Power/Volume knob clockwise to power the system on. The Power Indicator light will turn on.

### 3. Listening to Records

- a. Ensure the Red Power LED indicator is on.
- b. Place a record on the turntable platter over the center spindle. Place the EP adapter over the center spindle when playing EP records.
- c. Set the Speed Selector to the correct RPM setting depending on the size of the record – 33, 45 or 78 RPM.
- d. Lift the Tone Arm from the Tone Arm Rest using the Lift Lever and slowly move it over the record. The Platter will begin moving.
- e. Gently lower the Tone Arm onto the desired section of the record to begin playing.
- f. When the record is finished playing, lift the Tone Arm and put it back on the Tone Arm Rest. The Platter will stop rotating on its own.
- g. To stop playback manually, lift the Tone Arm from the record and return it to the Tone Arm Rest.
  - i. **CAUTION: Do not stop or turn the Platter manually. Moving or jarring the Turntable without securing the Tone Arm could result in damage to the device.**
- h. Replace the Stylus Protector when not in use.

### 4. Auto-Stop Switch Operation

- a. If a record stops prematurely due to an auto-stop section, change the Auto-Stop Switch to the “Off” position.
- b. The record will now play to the end.
- c. The Platter will not stop automatically. You must manually lift the Tone Arm, move it back to its resting position and turn off the turntable’s power to stop the Platter from spinning.

### 5. Line-Out Connections

- a. The Turntable can be connected to an external stereo or amplifier by connecting the unit’s RCA Line-Out jacks to the Auxillary Input jacks on the receiver using RCA cables (sold separately).
- b. The Turntable’s volume control will not function when Line-Out jacks are in use.

### 6. Making a Bluetooth Connection

- a. Set the Mode Selector to “BT.” A blue light will begin to flash.
- b. Activate your external device’s Bluetooth functionality and look for the pairing name “BV-T002.”
- c. Select the pairing name to connect the units. Once a connection is established the blue light will stop flashing.
- d. The devices will remain paired unless you unpair them manually.

## 7. Auxillary Input

- a. To listen to an external audio source through the Turntable's speakers, connect the device the Turntable with a 3.5mm stereo cord with 2 male ends.
- b. Plug one end into the Line In jack on the turntable and plug the other end into the headphone jack of the audio device.
- c. The audio level is controlled using the Volume Control knob on the Turntable.

## 8. Listening to a USB Device

- a. Connect the USB device to the Turntable and power on both units.
- b. Press the Mode button on the turntable to select USB mode. The Function Indicator light will become purple.
- c. Press Play/Rec to begin playback. The Function Indicator will begin flashing purple.
- d. Adjust the volume to the desired level.
- e. Press the Next button to skip one track ahead and press the Prev button to skip to the previous track.
- f. **To avoid potential damage to the Turntable or USB device, power both units off before disconnecting them.**

## 9. Creating Digital Copies of Records

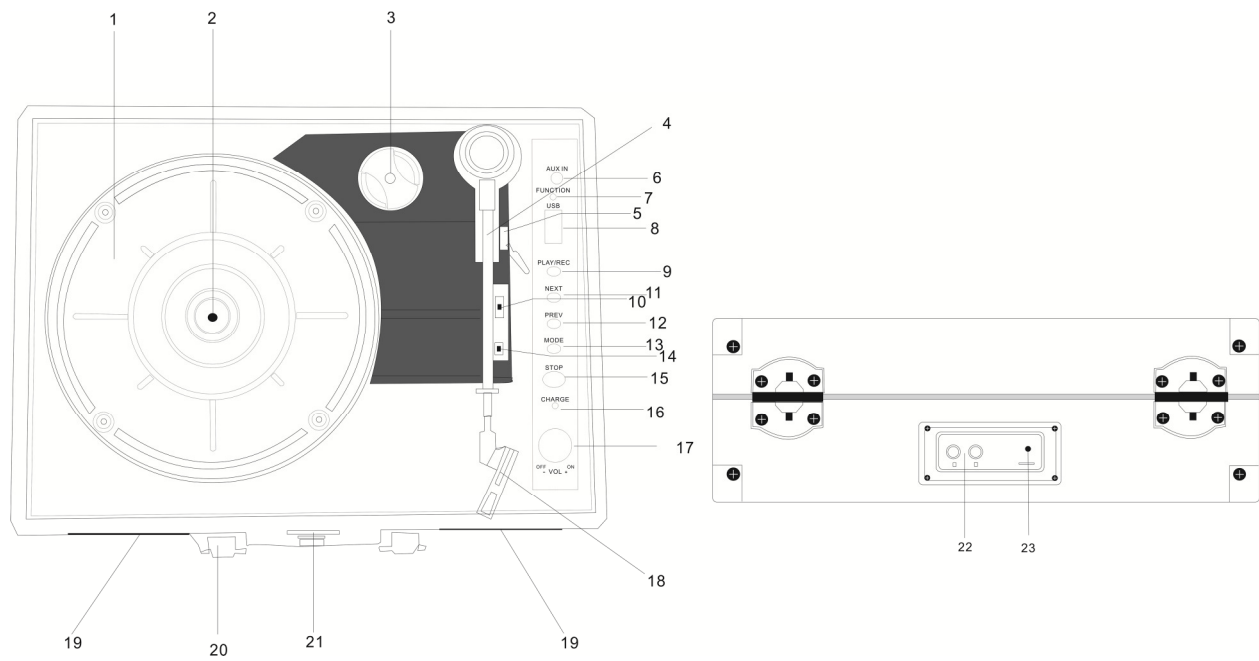
- a. Connect computer or USB storage device to USB port on the Turntable.
- b. Place a record on the Platter.
- c. Select your desired recording mode (Phono or Aux-In).
- d. Press and hold the PLAY/REC button until the Function light begins flashing red (Approx. 2 seconds) to begin recording.
- e. Begin playback.
- f. To stop the recording process simply press the Stop button.
- g. To listen to the recording, use the Mode button to select USB mode. The Function Indicator light will turn purple.
- h. Press PLAY/REC to begin playback of digital files.
- i. Press STOP to stop playback.
- j. **If persistent recording issues such as skipping and distortion are experienced, try recording to a different USB storage device.**

# Trouble Shooting Guide

Problem	Possible cause	Solution
The unit does not respond (no power)	The unit is disconnected from the AC outlet. The AC outlet has no power.	Connect to the AC outlet. Try the unit on another outlet.
No Sound	Volume not adjusted. Wrong source selected. Device not turned ON. Volume set too low.	Adjust the volume level. Select the correct source. Turn the device ON. Increase Volume to desired level.
Sound is distorted	Volume level is too high.	Decrease the volume.
Unit becomes warm after extended play at high volume.	This is normal.	Turn the unit off for some time or lower the volume.

## Specifications:

1. Amplifier
  - a. Output Power: 2W+2W
  - b. Frequency Response: 60 to 20,000 Hz
2. Turntable
  - a. Motor: DC Servo
  - b. Drive System: Belt
  - c. Speed: 33 1/3 RPM, 45 RPM and 78 RPM
  - d. Wow and Flutter: Less than 0.35% (WTD)
  - e. SNR: More than 35 dB
  - f. Cartridge Type: Ceramic Stereo Cartridge
  - g. Output Level: 1 KHz -1200 mV
3. Speaker System
  - a. Impedance: 4 ohm
  - b. Input Power: 3 Watt Max
4. General
  - a. Power Requirments: AC 100/240 V ~ 50/60 Hz
  - b. Power Consuption: 6 Watts
  - c. Dimensions (LxDxH): 18.5" x 15.0" x 9.6"



- |  |  |
|--|--|
| <ul style="list-style-type: none"> <li>1. Turntable Platter</li> <li>2. Turntable Shaft</li> <li>3. 45 RPM Adaptor</li> <li>4. Tone Arm</li> <li>5. Lift Lever</li> <li>6. Aud-In Jack</li> <li>7. Power and Function LED Indicator</li> <li>8. USB Socket</li> <li>9. Play/Record Button</li> <li>10. Speed Control Selector</li> <li>11. Next Button</li> <li>12. Previous Track Button</li> </ul> | <ul style="list-style-type: none"> <li>13. Mode Button</li> <li>14. Auto Stop On/Off Switch</li> <li>15. Stop Button</li> <li>16. Charging Battery LED Light Indicator</li> <li>17. Power/Volume Control Knob</li> <li>18. Stylus Cartridge</li> <li>19. Built-in Speaker</li> <li>20. Handle</li> <li>21. Lock</li> </ul> |
|--|--|