

## Knox Ice-Maker & Dispenser Instruction Manual

### Introduction

Thank you for purchasing the Knox Ice Maker and Dispenser please read this user guide carefully before attempting to operate this machine. The Knox Ice Maker and Dispenser is user friendly, when properly installed and used it provides you with instant ice-cubes, and dispenses hot and cold water.

### User Information

Before attempting to operate this machine please read the steps below:

1. Do not recline the machine over 45 degrees at any time.
2. For the Ice Maker to function effectively ensure that it is placed at least 150 mm away from the wall for adequate ventilation.
3. It is vital to purge both hot and cold water taps before switching on the unit.
4. Water should be drained a few times to remove any residual smell or taste from the manufacturing process.

### How it Works

The Knox Ice Maker and dispenser features three (3) selectable ice cube sizes (Small, Medium and Large) so you can satisfy everyone from cocktail whisky lovers to juice drinkers. You can finally forget about the hassle of freezing ice cubes in the fridge or driving to the nearest gas station for ice cubes. Follow the step by step instructions below and get started in no time.

#### Step 1. Add Water

If you will be using bottled water remove the paper seal and plastic and then tip the bottle onto the clever seat. Water will be released into the machine automatically if a pipe is used.

#### Step 2. Start the Machine

Connect to power and press Power to start the machine.

#### Step 3. Select the Function you want

Press the correct button for the proper function. Press the Hot (Red) button for hot water or the Cold (Blue) button for cold water.

(Please Note for the first three cycles the ice may be small and irregular in size)

### How to set up the Timer for the Ice Making Function

Step 1: Long Press the Lock/Set button until the clock is illuminated.

Step 2: Then Short Press on the Lock/Set button till the indicator ICE and ON appear.

Step 3: When the first two digits are illuminated, press the ICE/+ button to change the hour.

Step 4: After it is set press the Lock/Set button again, the last two digits will illuminate. Press the ICE/+ button again to change the minutes.

Step 5: When you are finished and the figures are not illuminated, long press on the ICE/+ button till the indicator ON is on.

### How to Unset the Timer for the Ice Making Function

Step 1: Long press the Lock/Set button until the clock is illuminated.

Step 2: Then short press on the Lock/Set button till the indicator ICE and OFF appear.

Step 3: When the first two digits are illuminated press the ICE/+ button to change the hour.

Step 4: After it is set, with a short push on the Lock/Set button again, the last two digits will illuminate, press the ICE/+ button again to change the minute.

Step 5: After the setting is finished and the figures are not illuminated, long press on the Ice/+ button till the indicator OFF is on.

### Care and Maintenance

In order for the Knox Ice Maker and Dispenser to function effectively it is vital to maintain and develop a consistent cleaning process. This guarantees that your Knox Ice Maker and Dispenser will function properly for many years to come. Please read the step by step guidelines below for proper cleaning and maintenance.

Step 1: Before you start cleaning the machine unplug the unit and remove the ice-cubes.

Step 2: Using a diluted solution of water and vinegar clean the inside and outside surface of the ice-maker including the ice collecting tray, ice shovel and evaporator.

Step 3: Do not spray the ice maker with chemicals or diluted agents such as acids, gasoline or oil.

Step 4: To ensure proper cleanliness of the ice-cubes water in the water reservoir should be replaced every 24 hours. Always change the water before starting ice production at initial installation or after long shut-off periods. After draining the water ensure the drain cap is covered.

Step 5: If the compressor stops working for any reason such as water shortage, too much ice etc. Do not start the ice maker right away, wait 3 minutes and then re-start it.

**Step 6:** If the temperature is low, ice may get blocked. If that happens unplug the machine and leave it for 30 minutes, when the ice melts restart the machine.

**Step 7:** Do not touch the evaporator when it is making ice.

**Step 8:** When the compressor is not working do not restart it right away, wait 3 minutes then restart it.

### Troubleshooting

#### Situation A

**Problem:** The compressor has abnormal buzzing noise

**Possible Cause:** The Voltage is too low

**Suggested Solution:** Stop the icemaker and do not restart it until the voltage is normal

#### Situation B

**Problem:** Ice is clogged and doesn't dispense

**Possible Cause:** A) Evaporator is too low. B) Ice from prior cycles is left at the water way C) Electromagnetic valve doesn't drop down.

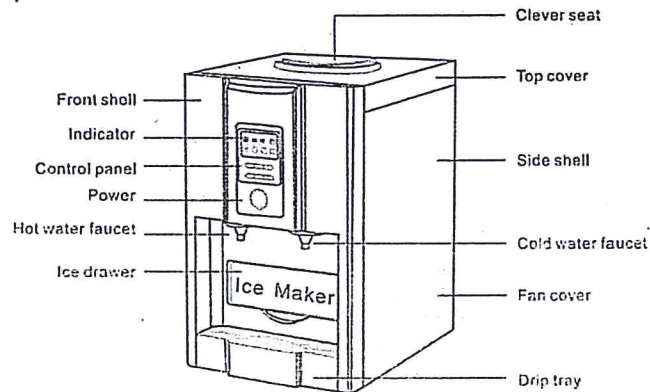
**Suggested Solution:** A) Stop the Ice Maker and restart it when all the ice in the water tray melts down. B) Shift the evaporator. C) Replace the magnetic valve.

#### Situation C

**Problem:** Leakage

**Possible Cause:** A) The buoy is blocked. B) Inner water pipe is broken C) Non-pressure valve is broken down.

**Suggested Solution:** A) Remove the bottled water from the Ice maker and drain the water completely and then put back the water bottle. B) Replace the water pipe. C) Replace the non-pressure water valve.



### Specifications

- Volt/Frequency-230 V-50Hz
- Ice Making Current-1.1 A
- Ice Making Capability-1.12 kg/2.4h
- Rated Total Power-700 W
- Heating Power-550W
- Ice Making cold water Power-150 W
- Ambient Humidity <90%
- Hot Water-3.5 L/Hour
- Cold Water-2L/Hour
- Product Size ( W x D x H)- 440 x 330 x 535mm
- Ice making with cooling current- 1.5 A
- Ice Storage-1.0 kg
- Hot water tank capacity- 1L
- Tank for cold water- 2L
- Ambient Temperature-10-43
- Refrigerant/ Quality- R 134 A



#### Safety Instructions

Please read the safety instructions carefully as they contain vital information about proper operation of this machine.

- Check that the main voltage corresponds to the rating of the appliance before operating
- To protect against electric shock do not immerse cord or plug in water or any other liquid
- Do not leave the appliance unattended when in use
- Do not use appliance near bath or swimming pool
- To remove plug from outlet do not pull the supply cord. Grasp the plug firmly and pull to remove.
- Don't allow the cord to overhang on the counter top where it can easily be pulled by children
- It is normal for the compressor and condenser surface to reach temperatures between 70 and 90 during operation and surrounding areas may be very hot.
- Due to fast freezing, ice-cubes may appear cloudy. This is trapped air in the water, it will not affect the quality or taste of ice.
- No liability can be accepted for any damage caused by non-compliance with these instructions or any other improper use or mishandling.

#### Disposal

Electronic devices are recyclable material and must not be disposed of in the household waste. To prevent harm to the environment or human health from uncontrolled waste disposal, recycle it responsibly to promote the sustainable reuse of material resources. Please dispose this product when it is no longer in use according to the current statutory requirements in your city.

2015 Knox Gear © Inc.

---

#### WARNING:

The Limited 1-Year Warranty and Underwriters' Laboratory and CE listings for the dispensers are invalidated if any alterations, modifications, or use or misuse in combination with any other machines or devices is deemed to be the source of any claim. Knox corporation accepts no liability (including for bodily injury) resulting from any alterations, misuse, neglect, accidents, improper installations or repairs. The appliance is not intended for use by persons (including children) with reduced physical, sensory or mental capabilities, or lack of experience and knowledge without supervision by a person responsible for their safety.